



# CE15/20

## PORTABLE WASTE COMPACTOR

### CE Range

The range of CE waste compactors are ideally suited for compacting materials such as dry industrial and commercial general waste, cardboard, plastic packaging, timber and recyclables.

Each has been designed to ensure you achieve maximum performance and reliability, with ease of operation.

### Special FEATURES of the CE Range :

- High Efficiency Power Packs
- Low Noise Gear Pumps
- Remote Monitoring System (RMS)
  - Text and Email Notification of Machine Status (Variable Filling Level Notification, Full Message and Machine Fault Status)
  - Remote Diagnostic Functionality (back at Kadant PAAL Factory)
  - Intelligent Service Scheduling, Via Hours Run
  - Machine Identification & Location (allowing multiple machines at same site)
  - Monitoring of Hydraulic Oil Levels and Leak Detection
  - Hydraulic Oil Overheat and Shut Down Facility

**KADANT PAAL LIMITED IS THE UK'S LEADING MANUFACTURER AND SUPPLIER OF WASTE COMPACTORS AND BALING EQUIPMENT.**

**DICO M**

## BENEFITS :

- Lower Electricity Costs
- Increased Performance in Compaction, Due to Intelligent Electronics and Hydraulics
- Fewer Vehicle Movements/Collections Thanks to Improved Full Level
- Enhanced Maintenance and Housekeeping Accessibility
- Reduced Noise Levels
- Lower Maintenance Costs
- Maximum Payloads

## OPTIONAL EQUIPMENT :

- Custom Built Hopper
- Liquid Retentive Seal
- Remote Power Pack
- Choice of Colours

## SAFETY :

All Dicom Brand products are designed and manufactured with operator safety our highest priority.

Each compactor comes fully compliant to all current Safety Standards and CE Marked.

During installation full safety and certified operator training is provided by our highly experienced installation and service engineers.

Equipment is supplied with the following standard safety features :

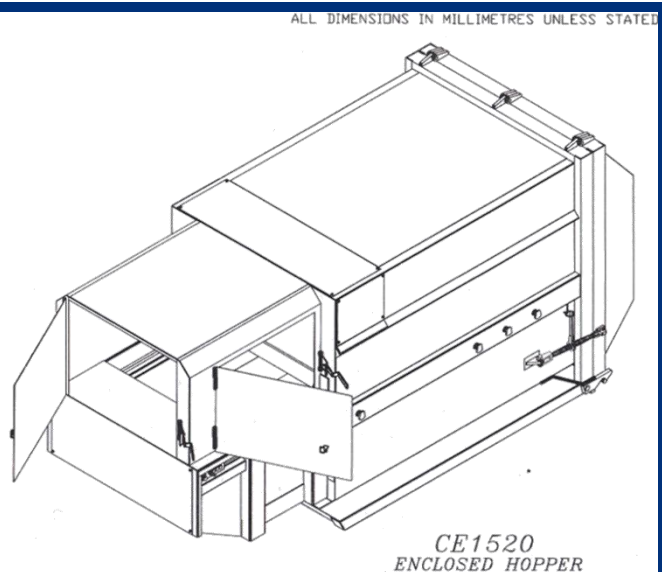
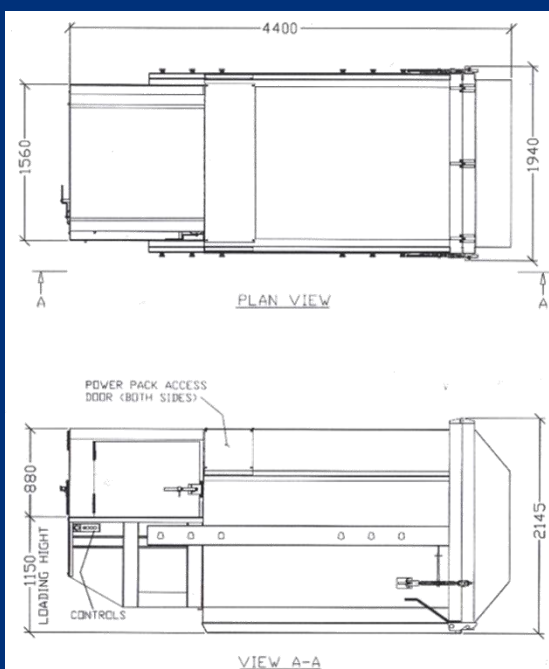
- Emergency Stop
- 24 Volt controls
- Dual safety switches
- Dual channel safety relays
- Operator manuals supplied

## Technical Data and Measurements

Machine Capacity (m <sup>3</sup> )	12.12	Door Opening (mm)	1100 x 900
Compaction Force (Tonnes)	20	Blade Penetration (mm)	150
Cycle Time (Seconds)	40	Charge Box Volume (m <sup>3</sup> )	0.75
Volume Per Hour (m <sup>3</sup> )	67.5	Motor Size	4 kW
Top Opening (mm)	1340 x 685	Ram Depth (mm)	736
Electrical Supply Requirements	16A 415V 3-phase with neutral and earth. Protection via Type "D" circuit breaker or Motor rated fuses		

### Dimensions in mm

Overall Height	2146	Loading Height	1155
Length	4400	Width	1940



All dimensions are correct at time of print; however, Kadant PAAL is continually improving our products and for space critical situations, dimensions can be confirmed.