

PAC Baler

A-Series



The PAC baler with a vertical sliding door is designed for manual strapping of the bales with wire in a horizontal direction.

Pressing forces from 350kN up to 650kN with a closed press chamber resulting in very high bale weights, even on difficult materials. The bale size is 75x110cm with a length of approx. 1.2m.

The PAC baler has a small footprint due to the vertical, hydraulically operated door, but still incorporates full bale ejection (very long ram stroke). The ejection of the finished bales is made easy with full bale ejection rather than machines with only partial ejection.

Kadant PAAL was founded in 1854 in Osnabrück, Germany. Since its introduction of the first continuously operated horizontal baler in 1960, PAAL has delivered more than 30,000 machines and today is the #1 channel baler manufacturer in Europe.

PAC Baler A-Series Overview



Features

- Compaction against the closed tunnel door
- Compact construction and vertical door
- Hydraulically operated tunnel door
- Cross tying of the PAC 65 B allows for difficult materials to be securely tied
- Switch cabinet with PLC Siemens S7 mounted at the baler



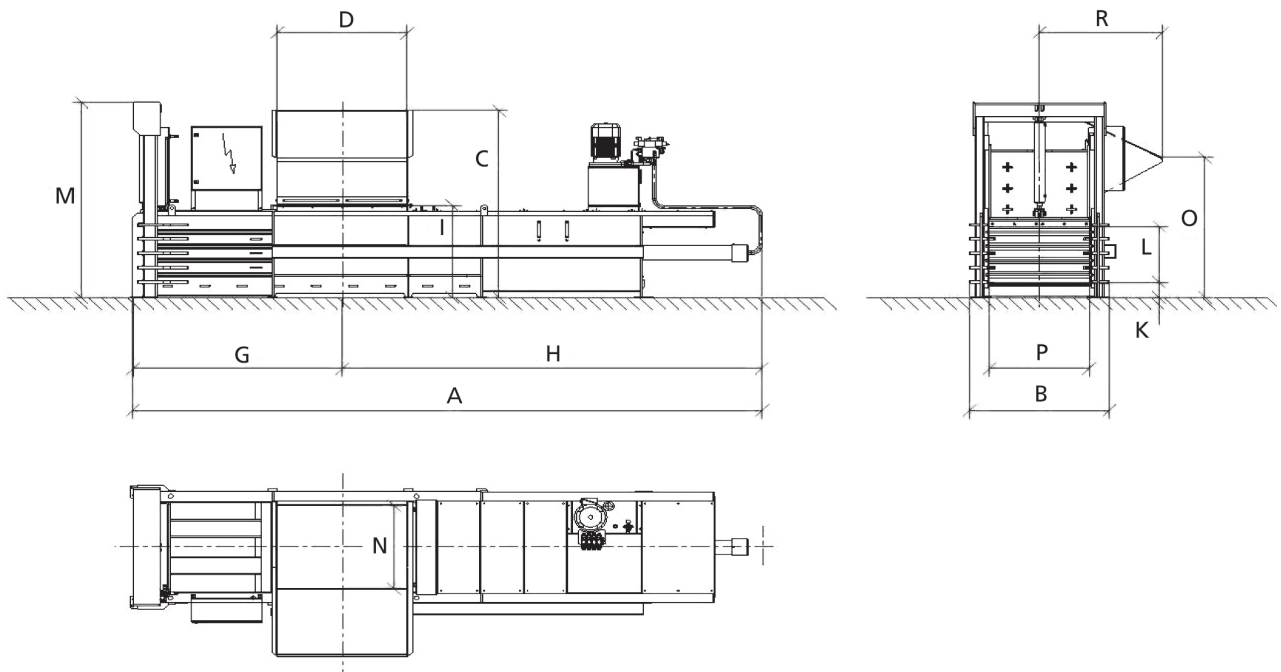
Benefits

- High bale weights
- Low space requirements
- Easy bale ejection
- Easy operation

PAAL®

Technical Data and Measurements

PAC A-Series		35 A		50 A			65 A		
Pressing force	t (kN)	36 (356)		50 (486)			65 (633)		
Spec. pressing force	N/cm ²	43		59			77		
Tunnel cross section	cm	75 x 110		75 x 110			75 x 110		
Hopper opening	cm	120 x 102		140 x 102			160 x 102		
Bale length	appr. cm	120		120			120		
Number of tyings	pieces	4		4			4 + 4		
Driving power	kW	7.5	11	7.5	11	15	11	15	22
Press output (ideal)	max. m ³ /h	60	77	45	56	92	46	69	88
Cycle time (ideal)	appr. s	59	46	93	74	45	104	69	54
Power Supply	3x 400V / 50Hz / PE or 3x 460V / 60Hz / PE								
Fuse protection on site	A	32	32	32	32	40	32	40	51



	A	B	C	D	G	H	I	K	L	M	N	O	P	R
PAC 35 A	6385	1530	2227	1200	2158	4227	1095	155	750	2325	1020	1670	1100	1350
PAC 50 A	6785	1530	2227	1400	2258	4527	1095	155	750	2325	1020	1670	1100	1350
PAC 65 A	8115	1740	2482	1600	2708	5407	1270	300	750	2490	1020	1625	1100	1335

Dimensions are in millimetres.

Specifications are for reference only and subject to change.