

KONTI H 500 Baler

J-Series



Kadant PAAL's KONTI H automatic channel baler represents tried and tested top quality. The KONTI H baler provides high loading levels in continuous operation at maximum effectivity. Its robust construction and high pressing forces of 120 to 200 tonnes provide trusted reliability.

Kadant PAAL was founded in 1854 in Osnabrück, Germany. Since its introduction of the first continuously operated horizontal baler in 1960, PAAL has delivered more than 31,000 machines and today is the #1 channel baler manufacturer in Europe.

KONTI H J-Series Baler Overview



Features

- Optimised knife, stamper, and channel design
- Modern axial piston pumps with low drive power
- Advanced positional ram measurement system
- Interchangeable bolted wear plates at press chamber walls and ram cover
- Larger door at rear section of baler
- Improved app-oriented operator interface and PLC with remote maintenance



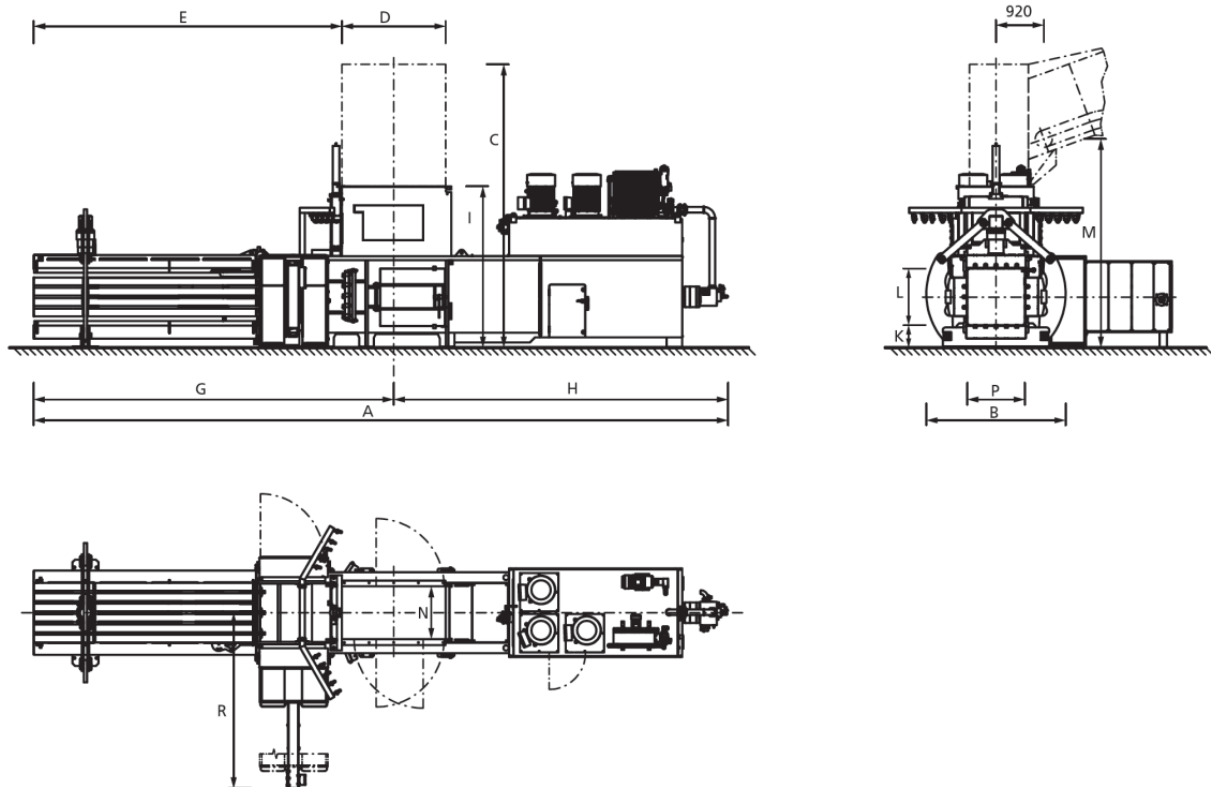
Benefits

- High throughput and bale weights
- Low energy consumption
- Simple operation and maintenance
- Low total cost of ownership

PAAL®

Technical Data and Measurements

KONTI H 500 Baler J-Series								
Pressing force	t (kN)	122 (1197)						
Spec. pressing force	N/cm ²	99						
Hydraulic reference pressure	Bar	315						
Tunnel cross section H x W	cm	110 x 110						
Hopper opening	cm	200 x 102						
Feeding volume	ca.m ³	3.45						
Number of wires	pieces	5						
Driving power	kW	45	55	75	2 x 37	2 x 45	2 x 55	2 x 75
Hydraulic pump flow	L/min	260	420	420	2 x 260	2 x 260	2 x 420	2 x 420
Oil reservoir capacity	L	750	1250	1250	1250	1250	2100	2100
Maximum performance without material	max.m ³ /h	429	650	650	782	782	1135	1135
Press Capacity (Weight)								
• 15 kg/m ³ (e.g. foil)	ca.t/hr.	4	6	7	8	8	11	12
• 35 kg/m ³ (e.g. flattened OCC)	ca.t/hr.	10	14	16	17	19	25	28
• 60 kg/m ³ (e.g. mixed paper)	ca.t/hr.	17	23	26	28	31	40	44
• 80 kg/m ³ (e.g. mixed paper)	ca.t/hr.	22	28	33	35	38	49	55
• 100 kg/m ³ (e.g. newspaper, magazines)	ca.t/hr.	25	33	37	40	43	54	60
Baler weight (dependent on options)	tonnes	41						
Sound level without material at 1 m distance	dB(A)	< 85						



A	B	C	D	E	G	H	I	K	L	M	N	P	R
13445	2800	5465	2000	5932	6932	6513	3115	435	1100	3950	1020	1100	3390

Dimensions are in millimeters

Specifications are for reference only and subject to change.