

KONTI H 600 Baler

J-Series



Kadant PAAL's KONTI H automatic channel baler represents tried and tested top quality. The KONTI H baler provides high loading levels in continuous operation at maximum effectivity. Its robust construction and high pressing forces of 120 to 200 tonnes provide trusted reliability.

Today's Kadant PAAL GmbH was founded as the PAAL printing works in 1854 in Osnabrück, Germany before concentrating on manufacturing balers in 1906 since when it has delivered more than 31,000 machines. PAAL launched the first continuously operated horizontal baler in 1960 and today is firmly established as the #1 channel baler manufacturer in Europe.

KONTI H J-Series Baler Overview



Features

- Optimised knife, stamper, and channel design
- Modern axial piston pumps with low drive power
- Advanced positional ram measurement system
- Interchangeable bolted wear plates at press chamber walls and ram cover
- Larger door at rear section of baler
- Improved app-oriented operator interface and PLC with remote maintenance



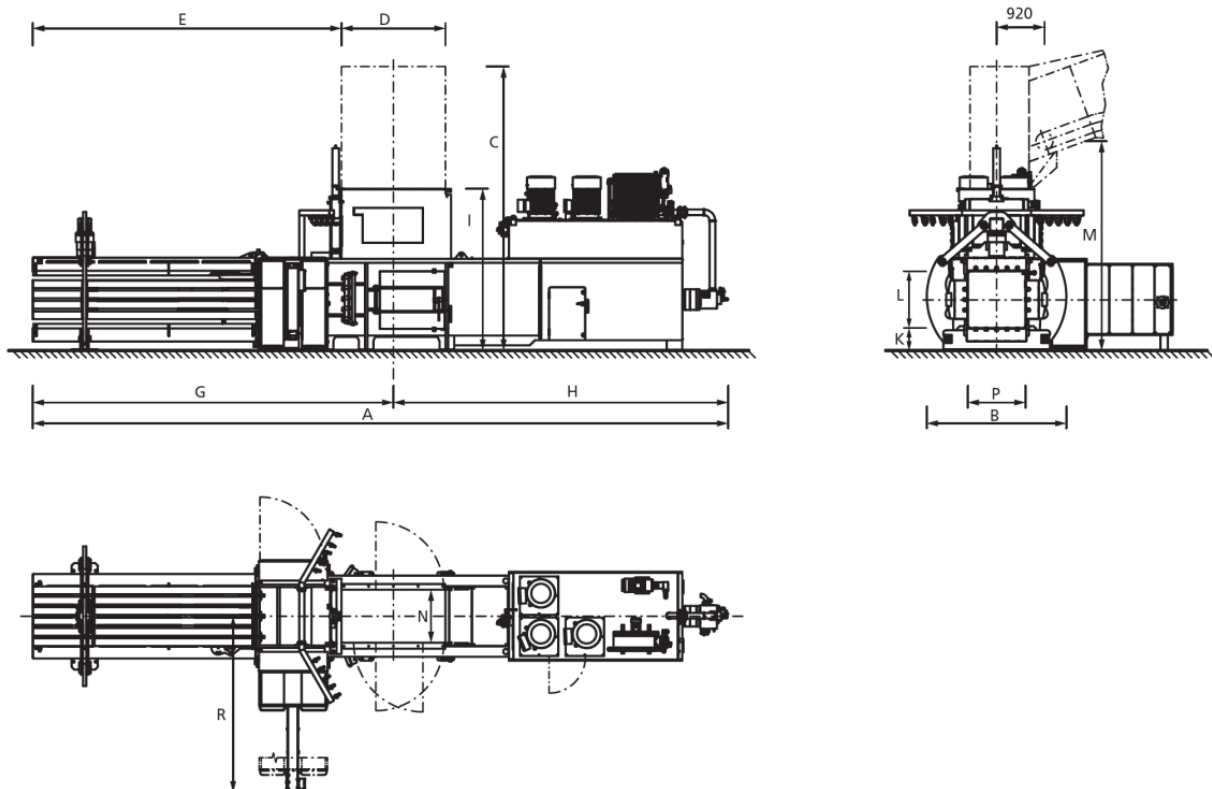
Benefits

- High throughput and bale weights
- Low energy consumption
- Simple operation and maintenance
- Low total cost of ownership

PAAL®

Technical Data and Measurements

KONTI H 600 Baler J-Series							
Pressing force	t (kN)	158 (1546)					
Spec. pressing force	N/cm ²	128					
Hydraulic reference pressure	bar	315					
Tunnel cross section H x W	cm	110 x 110					
Hopper opening	cm	200 x 102					
Feeding volume	ca. m ³	3,45					
Number of wires	pieces	5					
Driving power	kW	2 x 37	2 x 45	2 x 55	2 x 75	3 x 55	3 x 75
Hydraulic pump flow	l/min	2 x 260	2 x 260	2 x 420	2 x 420	3 x 420	3 x 420
Oil reservoir capacity	l	1250	1250	2100	2100	3100	3100
Maximum performance without material	m ³ /h	631	631	933	933	1267	1267
Press Capacity (Weight)							
• 15 kg/m ³ (e.g. foil)	ca. t/hr	6	7	9	10	12	14
• 35 kg/m ³ (e.g. flattened OCC)	ca. t/hr	14	15	20	23	28	32
• 60 kg/m ³ (e.g. mixed paper)	ca. t/hr	23	25	33	38	46	51
• 80 kg/m ³ (e.g. mixed paper)	ca. t/hr	29	32	42	48	57	64
• 100 kg/m ³ (e.g. newspaper, magazines)	ca. t/hr	34	38	48	55	65	73
Baler weight (dependent on options)	tonnes	48					
Sound level without material at 1 m distance	dB(A)	< 85					



A	B	C	D	E	G	H	I	K	L	M	N	P	R
14145	2800	5465	2000	6632	7632	6513	3115	435	1100	3950	1020	1100	3390

Dimensions are in millimeters.

Specifications are for reference only and subject to change.